

# NUWEIGH

## FEATURES

120mm Red LED digits

Ultra bright LED's

Includes Annunciators

Full stainless steel construction

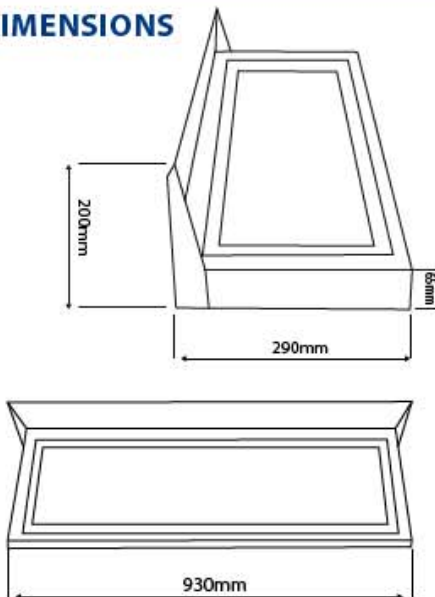
Stainless steel weather hood

Includes mounting brackets

Wireless option available

Connects to all weighing indicators

## DIMENSIONS



## KCA 1100

### LARGE REMOTE DISPLAY



Easy viewing in sunlight



Excellent viewing from wide angle

NEWCASTLE WEIGHING SERVICES PTY LTD  
104-114 HANNELL ST WICKHAM NSW 2293  
PH 02 49614554 FAX 02 49621137